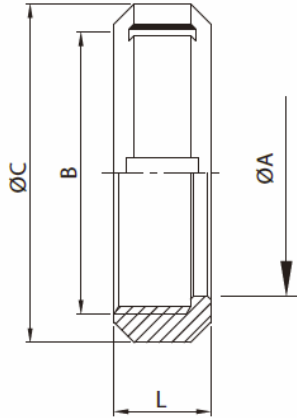
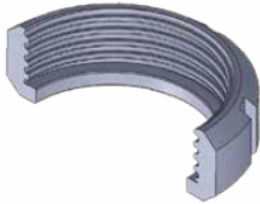




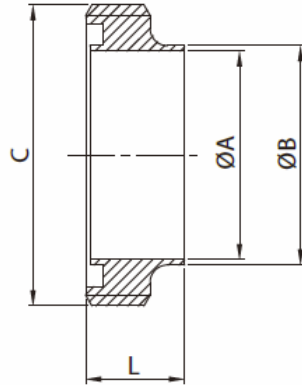
SMS Nut



SIZE	ØA	B	ØC	L
25	32	RD 40*1/6	51	19
32	40	RD 48*1/6	60	22
38	48	RD 60*1/6	74	23
50	60.5	RD 70*1/6	84	24
63	74	RD 85*1/6	100	28
76	87	RD 98*1/6	114	30
101.6	113	RD125*1/4	138	31
104	113	RD125*1/4	138	31
101.6-B	117	RD132*1/6	150	31



SMS Male



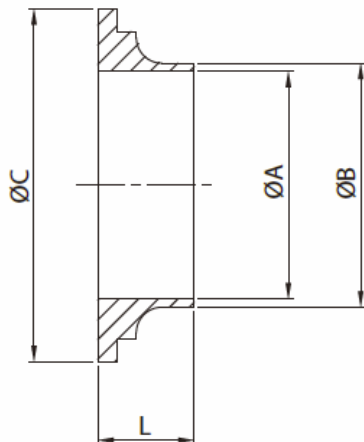
SIZE	ØA	ØB	ØC	L
25	22.5	25	RD 40*1/6	19
38	35.5	38	RD 60*1/6	23
50	48.5	51	RD 70*1/6	23
63	60.5	63.5	RD 85*1/6	27
76	72.9	76.1	RD 98*1/6	27
101.6	97.6	101.6	RD125*1/4	30
104	100	104	RD125*1/4	30
104-B	98.5	102.5	RD132*1/6	35

Telephone: (+44) 01384 424700

Email: sales@processflow.co.uk



SMS Liner



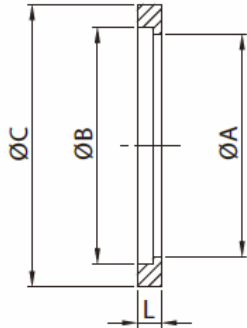
SIZE	ØA	ØB	ØC	L
25	22.5	25	35.5	15.5
38	35.5	38	55	16
50	48.5	51	65	17
63	60.5	63.5	80	17
76	72.9	76.1	93	19
101.6	97.6	101.6	118	19
104	100	104	118	19
104-B	98.5	102.5	127	19

Telephone: (+44) 01384 424700

Email: sales@processflow.co.uk



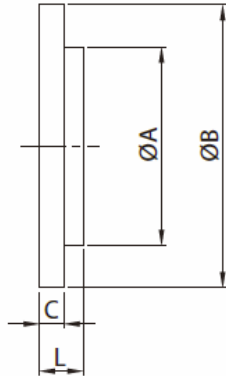
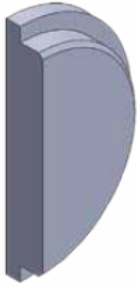
SMS Seal



SIZE	ØA	ØB	C	L
25	22.8	25.1	31.8	5.3
38	35.8	38.1	47.8	5.3
50	48.8	51.5	60.8	5.3
63	61	63.6	73.3	5.3
76	73.4	76.1	85.8	5.3
104	100.5	104	115.7	5.3



SMS Blank



SIZE	ØA	ØB	C	L
25	32	35.5	3.5	7.5
38	48	55	5	9
50	60	65	5	10
63	73.5	80	5	10
76	86	93	5	11
104	118	118	6	11
104-B	128	128	6	11