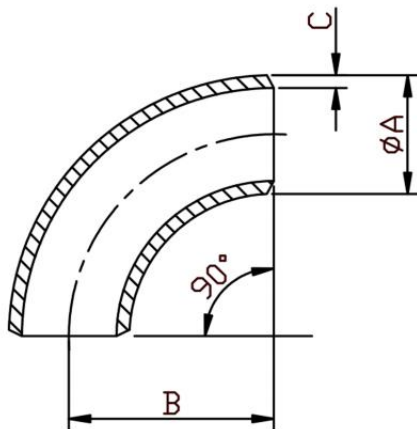




Nominal Bore 90 Degree Bend – Schedule 10



SIZE	A	B	C
½"	21.3	15.88	2.77
¾"	26.6	11.13	2.87
1"	33.4	22.23	3.38
1 ¼"	42.1	25.4	3.56
1 ½"	48.1	28.45	3.68
2"	60.3	35.05	3.91
2 ½"	73.0	44.45	5.16
3"	88.9	50.8	5.49
4"	114.3	63.5	6.02
5"	141.3	79.25	6.55
6"	168.3	95.25	7.11