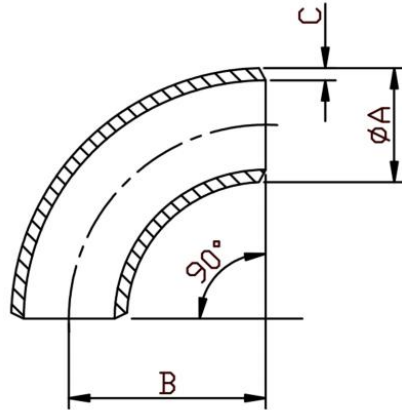




Nominal Bore 90 Degree Bend – Schedule 40



SIZE	A	B	C
½"	21.3	38.1	2.77
¾"	26.6	28.6	2.87
1"	33.4	38.1	3.38
1 ¼"	42.1	47.6	3.56
1 ½"	48.1	57.2	3.68
2"	60.3	76.2	3.91
2 ½"	73.0	95.2	5.16
3"	88.9	114.0	5.49
4"	114.3	152.0	6.02
5"	141.3	190.0	6.55
6"	168.3	228.6	7.11
10"	273.05	381.0	9.27