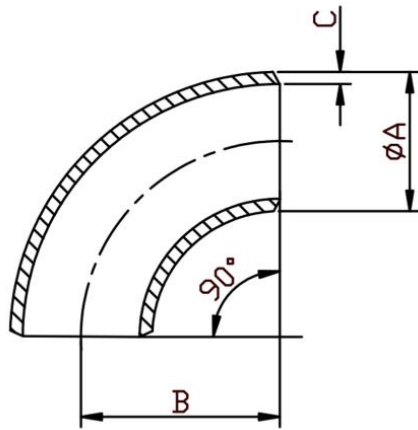




Nominal Bore 90 Degree Bend (Short Radius) – Schedule 10



SIZE	A	B	C
1"	33.4	25.4	2.77
1 ¼"	42.1	31.8	2.77
1 ½"	48.1	38.1	2.77
2"	60.3	50.8	2.77
2 ½"	73.0	63.5	3.05
3"	88.9	76.2	3.05
4"	114.3	101.6	3.05
5"	141.3	127.0	3.40
6"	168.3	152.4	3.40
8"	219.08	203.0	3.76
10"	273.0	254.0	4.19

Telephone: (+44) 01384 424700

Email: sales@processflow.co.uk