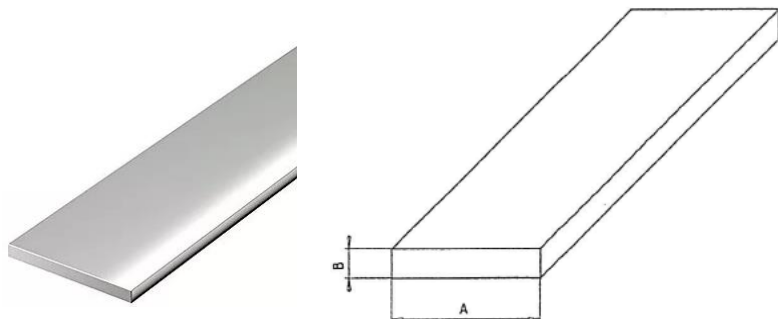




Flat Bar



SIZE A (mm)	SIZE B (mm)	SIZE B (mm)	SIZE B (mm)	SIZE B (mm)	SIZE B (mm)
15	3	4			
20	3		5	6	
25	3		5	6	
30	3		5	6	
35		4	5		
40	3		5	6	
50	3		5	6	10
65			5	6	10
75			5		
80			5	6	10
100	3	4	5	6	10
150	3		5	6	10