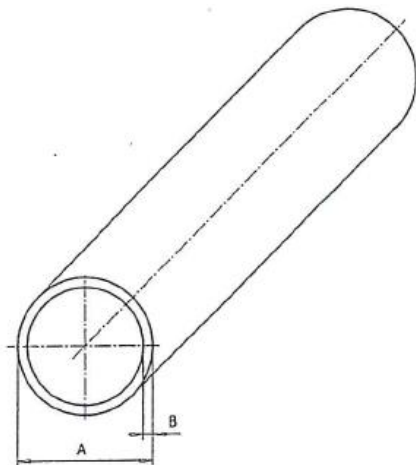




## Perforated Tube



SIZE (mm)	A (MM)	B (MM)
31.05	31.05	1.20
35.00	35.00	1.20
38.10	38.10	1.20
41.27	41.27	1.20
44.45	44.45	1.20
47.62	47.62	1.20
50.80	50.80	1.20
54.00	54.00	1.20
57.15	57.15	1.20
60.33	60.33	1.20
63.50	63.50	1.20
76.20	76.20	1.20

Telephone: (+44) 01384 424700

Email: [sales@processflow.co.uk](mailto:sales@processflow.co.uk)