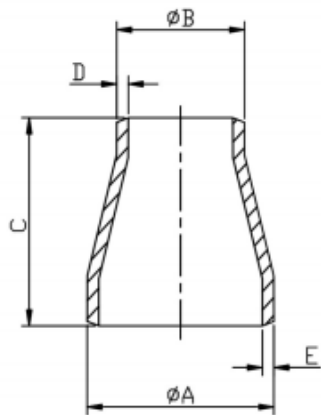




Concentric Reducer – Schedule 10



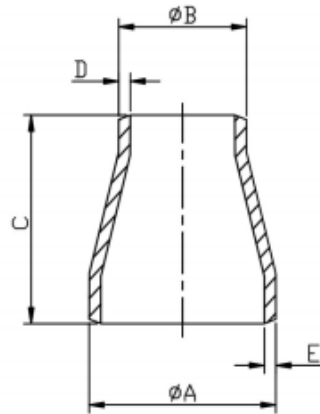
SIZE	A	B	C	D	E
$\frac{3}{4}'' \times \frac{3}{8}''$	26.6	17.15	35.2	2.11	2.11
$\frac{3}{4}'' \times \frac{1}{2}''$	26.6	21.3	38.1	2.11	2.11
$1'' \times \frac{1}{2}''$	33.4	21.3	50.8	2.11	2.77
$1'' \times \frac{3}{4}''$	33.4	26.6	50.8	2.11	2.77
$1 \frac{1}{4}'' \times \frac{1}{2}''$	42.1	21.3	50.8	2.11	2.77
$1 \frac{1}{4}'' \times \frac{3}{4}''$	42.1	26.6	50.8	2.11	2.77
$1 \frac{1}{4}'' \times 1''$	42.1	33.4	50.8	2.77	2.77
$1 \frac{1}{2}'' \times \frac{1}{2}''$	48.3	21.3	63.5	2.11	2.77
$1 \frac{1}{2}'' \times \frac{3}{4}''$	48.3	26.6	63.5	2.11	2.77
$1 \frac{1}{2}'' \times 1''$	48.3	33.4	63.5	2.77	2.77
$1 \frac{1}{2}'' \times 1 \frac{1}{4}''$	48.3	42.1	63.5	2.77	2.77
$2'' \times \frac{1}{2}''$	60.3	21.3	76.2	2.11	2.77
$2'' \times \frac{3}{4}''$	60.3	26.6	76.2	2.11	2.77

Telephone: (+44) 01384 424700

Email: sales@processflow.co.uk



Concentric Reducer – Schedule 10



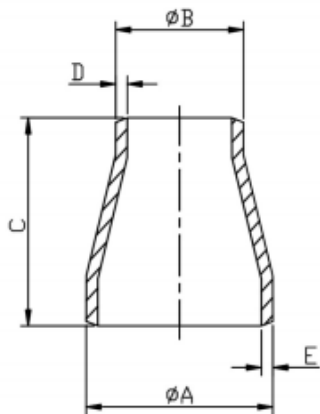
SIZE	A	B	C	D	E
2" x 1"	60.3	33.4	76.2	2.77	2.77
2" x 1 ¼"	60.3	42.1	76.2	2.77	2.77
2" x 1 ½"	60.3	48.3	76.2	2.77	2.77
2 ½" x 1"	73	33.4	76.2	2.77	3.05
2 ½" x 1 ¼"	73	42.1	76.2	2.77	3.05
2 ½" x 1 ½"	73	48.3	88.9	2.77	3.05
2 ½" x 2"	73	60.3	88.9	2.77	3.05
3" x 1"	88.9	33.4	88.9	2.77	3.05
3" x 1 ¼"	88.9	42.1	88.9	2.77	3.05
3" x 1 ½"	88.9	48.3	88.9	2.77	3.05
3" x 2"	88.9	60.3	88.9	2.77	3.05
3" x 2 ½"	88.9	73	88.9	3.05	3.05
4" x 1 ½"	114.3	48.3	101.6	2.77	3.05

Telephone: (+44) 01384 424700

Email: sales@processflow.co.uk



Concentric Reducer – Schedule 10



SIZE	A	B	C	D	E
4" x 2"	114.3	60.3	101.6	2.77	3.05
4" x 2 1/2"	114.3	73	101.6	3.05	3.05
4" x 3"	114.3	88.9	101.6	3.05	3.05
5" x 3"	141.3	88.9	127	3.05	3.40
5" x 4"	141.3	114.3	127	3.05	3.40
6" x 3"	168.3	88.9	139.7	3.05	3.40
6" x 4"	168.3	114.3	139.7	3.05	3.40
6 x 5"	168.3	141.3	139.7	3.40	3.40
8" x 4"	219.1	114.3	152	3.05	3.76
8" x 5"	219.1	141.3	152	3.40	3.76
8" x 6"	219.1	168.3	152	3.40	3.76
10" x 6"	273.0	168.3	178	3.40	4.19
10" x 8"	273.0	219.1	178	3.40	4.19