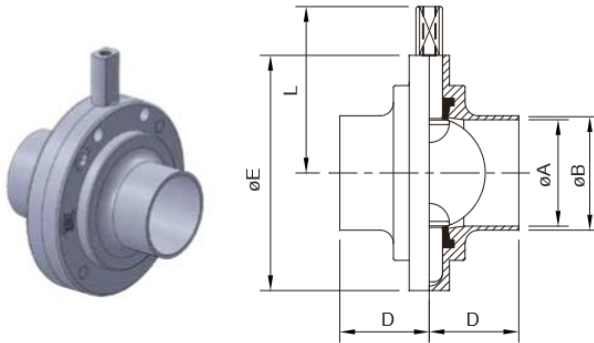




Butterfly Valve With Weld Ends



SIZE	ØA	ØB	SIZE	ØA	ØB	D	ØE	L
1/2"	9.4	12.7	—	—	—	34	79	61
3/4"	15.75	19.05	—	—	—	34	79	61
1.0"	22.1	25.4	DN25	22.5	25	34	79	61
1.5"	34.8	38.1	DN38	35.4	38	38	85	64.3
2.0"	47.5	50.8	DN51	48.0	51	40	105	74.3
2.5"	60.2	63.5	DN63	60.2	63.5	40	112	77.6
3.0"	72.2	76.2	DN76	72.1	76.1	41	125	84.8
4.0"	97.6	101.6	DN104	100	104	44	157	101.7
6.0"	146.8	152.4	—	—	—	70	216.5	138.9