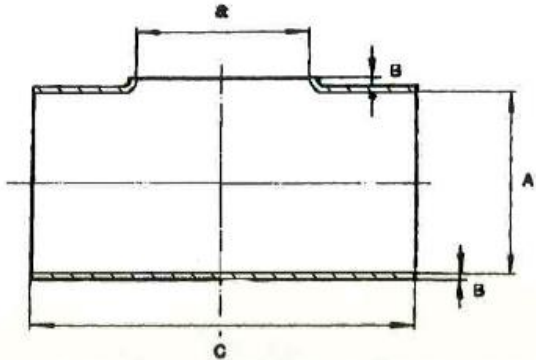




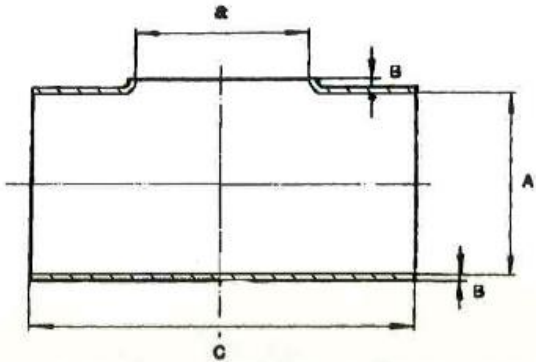
Metric Pulled Reducing Tee



SIZE	A (mm)	a (mm)	B (mm)	C (mm)
54mm x 28mm	50	25	2.0	100
54mm x 44mm	50	40	2.0	100
84mm x 44mm	80	40	2.0	160
84mm x 54mm	80	50	2.0	160
104mm x 54mm	100	50	2.0	200
104mm x 84mm	100	80	2.0	200
129mm x 84mm	125	80	2.0	250
129mm x 104mm	125	100	2.0	250
154mm x 84mm	150	80	2.0	300



Metric Pulled Reducing Tee



SIZE	A (mm)	a (mm)	B (mm)	C (mm)
154mm x 104mm	150	100	2.0	300
154mm x 129mm	150	125	2.0	300
204mm x 104mm	200	100	2.0	400
204mm x 129mm	200	125	2.0	400
204mm x 154mm	200	150	2.0	400
254mm x 154mm	250	150	2.0	500
254mm x 204mm	250	200	2.0	500