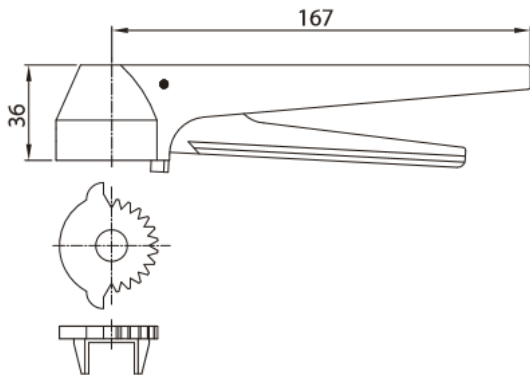




Process Flow Components Ltd  
Data Sheet

## Butterfly Valve Gripper Handle



12-Position Gripper Handle, made from  
Stainless Steel and Nylon.

Can fit  9.4x9.4 and  Ø12x8 or  12x12

Telephone: (+44) 01384 424700  
Email: [sales@processflow.co.uk](mailto:sales@processflow.co.uk)